

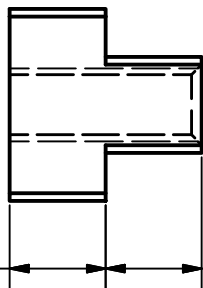
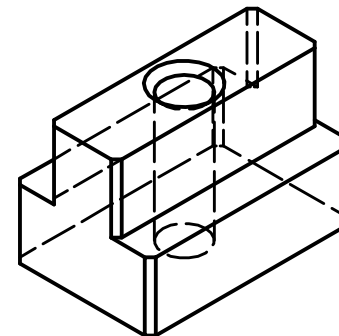
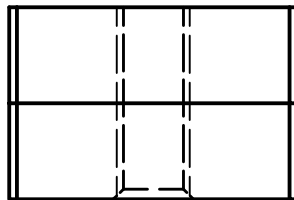
2

1

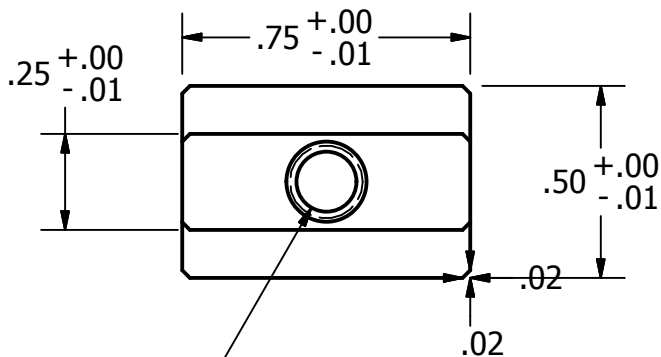


B

B



.25 ± .01 .25 ± .01



10-32 UNF - 2B
∠ Ø.21 X 90°
Hole centered on part

DRAWN Tim Goldstein	12/13/2010
CHECKED	
QA	
MFG	
APPROVED	

A2Z Corp		
TITLE		
CCED CAD Experiment T-Nut		
SIZE A	DWG NO T_NutCCED	REV R1.0
SCALE 2:1	SHEET 1 OF 1	

2

1



A

A