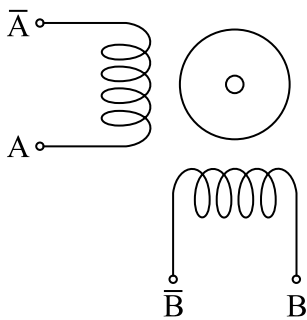


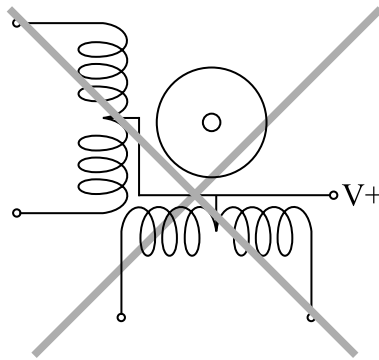
CNC Controller

Wiring Diagrams for 4, 6 & 8 Wire Bipolar Stepper Motors

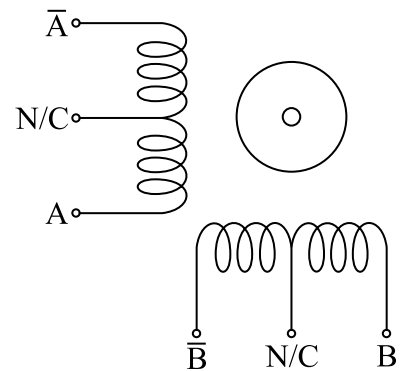
4-Wire Bipolar



5-Wire Unipolar *

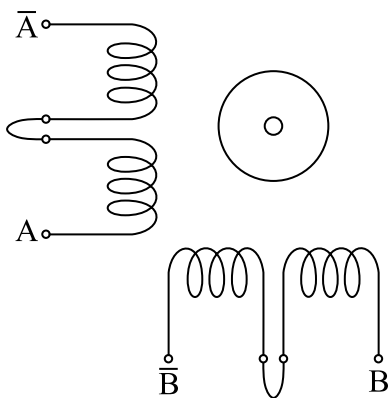


6-Wire Bipolar

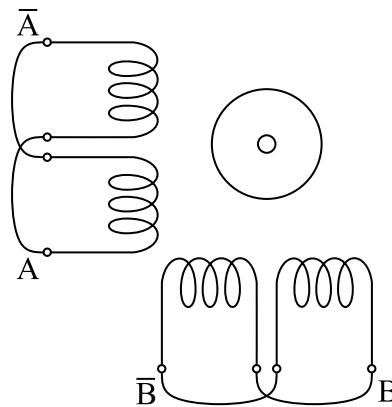


* Unipolar motors are incompatible

8-Wire Bipolar Series



8-Wire Bipolar Parallel *



*Parallel wiring requires twice as much current as series wiring to achieve the same torque but may double top speed.

Buildbotics Motor Cable



Buildbotics Controller Backpanel Motor Plug

